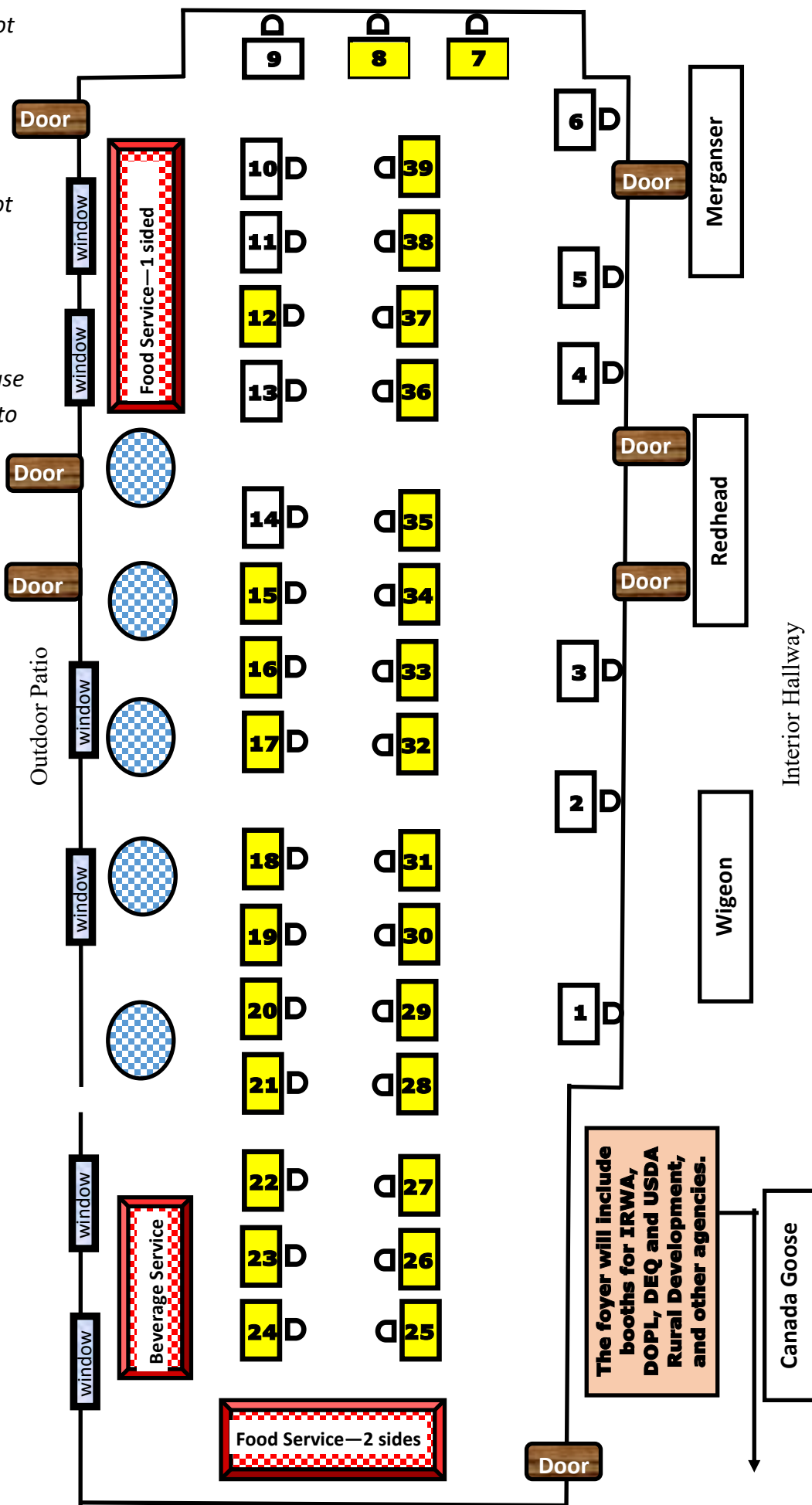


# 2022 Fall IRWA Conference Exhibit Hall Red Lion Templin's Hotel - Post Falls

Each space has a 6-foot table and 1 chair, perfect for a table-top display. This map is a representation of the exhibit hall but it is not drawn to scale.

The **YELLOW** booths are still available. Please note—Map is subject to change as IRWA Sponsors receive priority in booth selections. Want to become a Sponsor? Contact Carrie at 208-343-7001



# Idaho Rural Water Association 2022 Fall Conference

## Exhibit Hall

#	Exhibitor	#	Exhibitor
1	Hymax by Mueller	24	
2	AAA Equipment Company	25	
3	Great West Engineering	26	
4	Rocky Mountain Valves & Automation	27	
5	Vega Americas	28	
6	Xylem	29	
7		30	
8		31	
9	Mountain Waterworks	32	
10	Advanced Pump & Equipment	33	
11	Advanced Pump & Equipment	34	
12		35	
13	Neptune Technology Group	36	
14	PumpTech, LLC	37	
15		38	
16		39	
17		40	
18		41	
19		42	
20		423	
21			
22			
23			